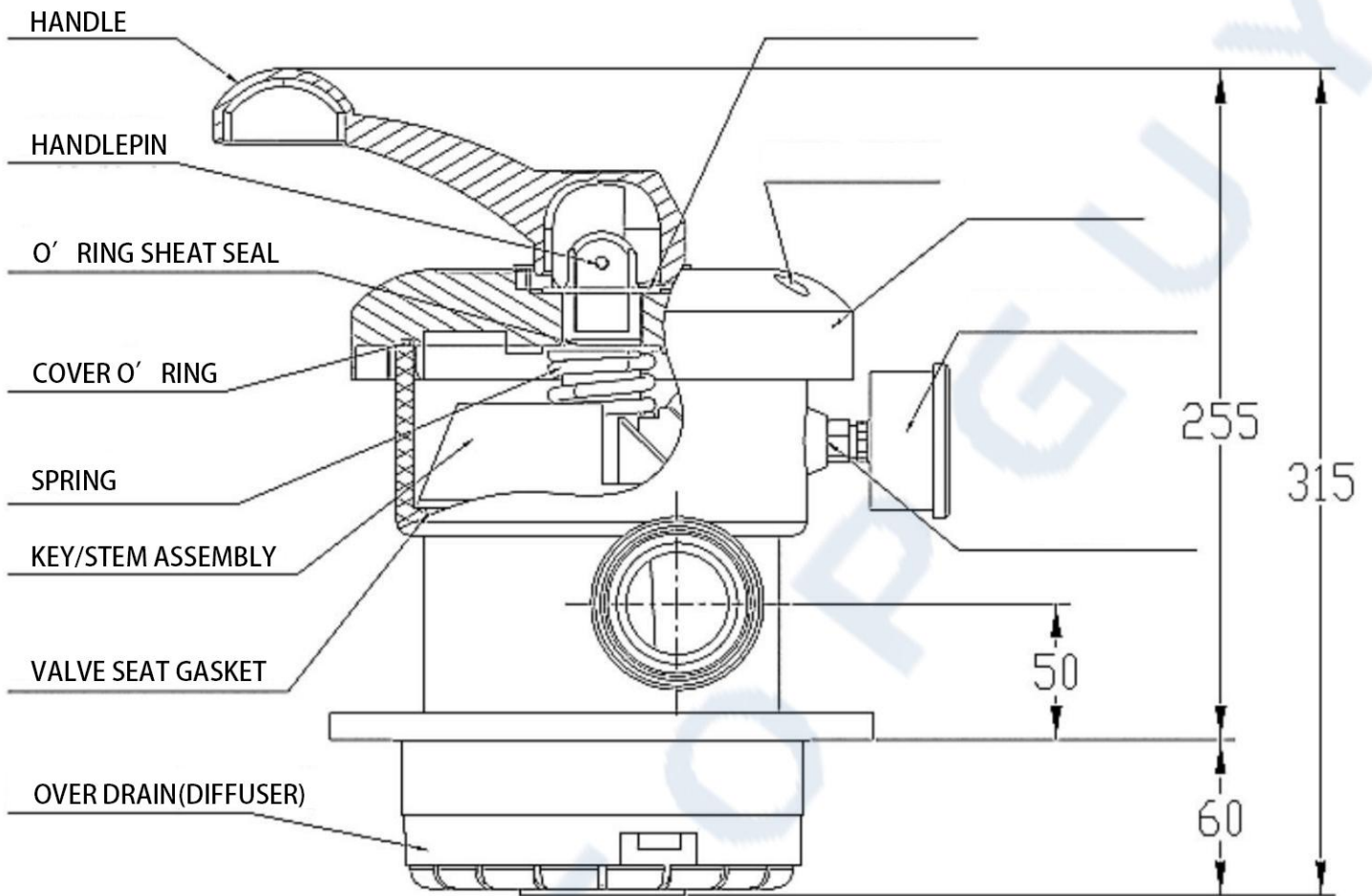
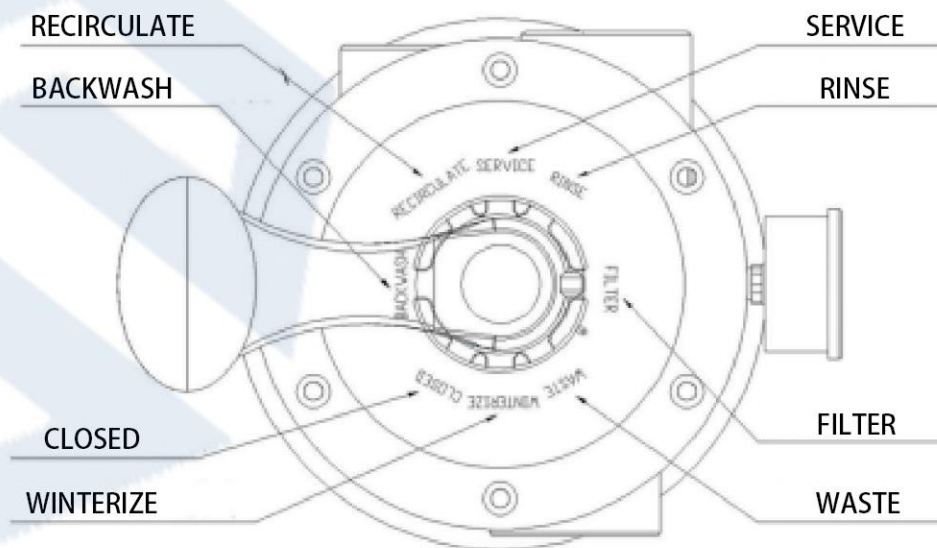


# 1.5 " Top-Mount Multiport Valve



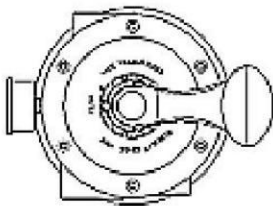
RETURN      PUMP



## FUNCTIONS OF VALVE POSITIONS

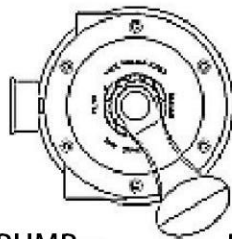
Valve Position	Function
FILTER	Normal Filtration and Vacuuming
BACKWASH	Cleaning Filter by reversing the flow
RINSE	Used after backwash to flush valve
WASTE	By—passes filter, used for vacuuming waster or lowering water level
RECIRCULATE	By—passes filter for circulating water to pool
CLOSED	Shuts off all flow to filter or pool
WINTERIZE	This device is used to prevent freezing
SERVICE	The Screw on the handle should be replaced when repairing

### FILTER



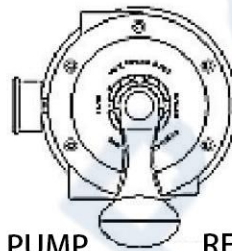
PUMP RETURN

### WASTE



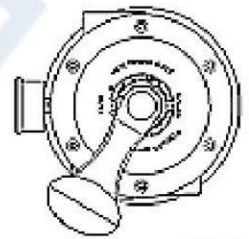
PUMP RETURN

### WINTERIZE



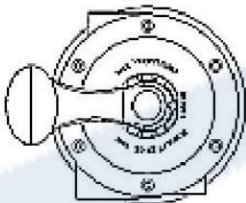
PUMP RETURN

### CLOSE



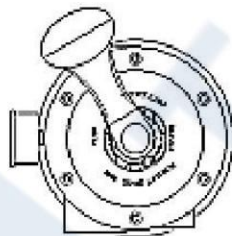
PUMP RETURN

### BACKWASH



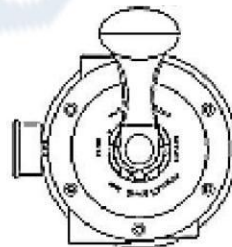
PUMP RETURN

### RECIRCULATE



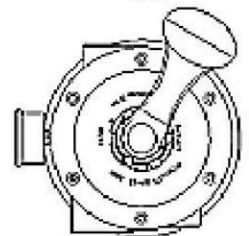
PUMP RETURN

### SERVICE



PUMP RETURN

### RINSE



PUMP RETURN

#### GENERAL:

1. Pipe tapboss provided for optional influent pressure gauge.
2. Piping stops are provided to prevent over-tightening. Always use Teflon pipe tape for connections to provide a good, " living " Seal. Add extra sealant if male pipe fitting is undersized
3. SERVICING VALVE. If it becomes necessary to service or gain access top the key or valve seat gasket:
  - a. Set handle in service position.
  - b. Remove cover screws.
  - c. Lift cover and key assembly out.

#### TO ASSEMBLE:

- d. Place valve key so that wedge opening is at TOP port (handle in Filter psn.). Flat edge of cover screw lug should align With flat edge of body screw lug.
- e. Position cover O'Ring.
- f. Secure assembly to body with cover screws. Tighten cover screws evenly and alternately. Do not Over-tighten.