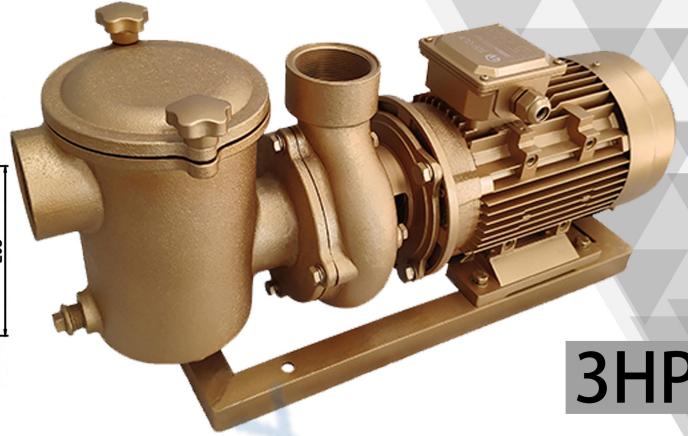
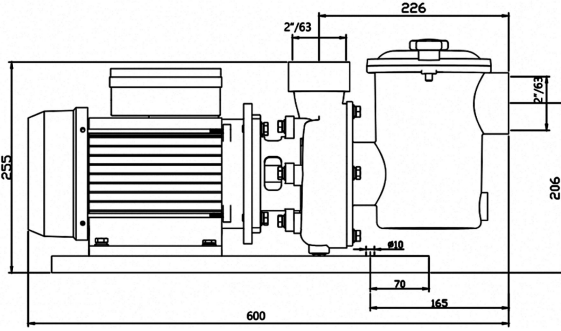
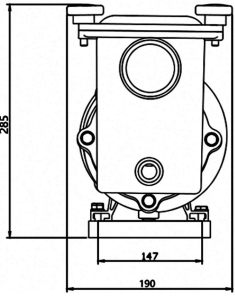


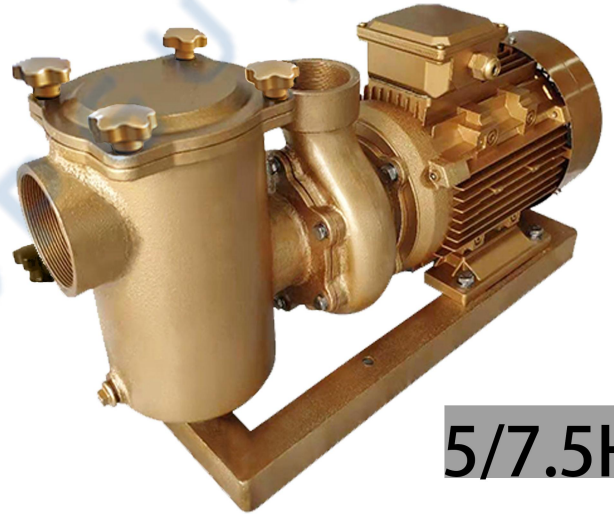
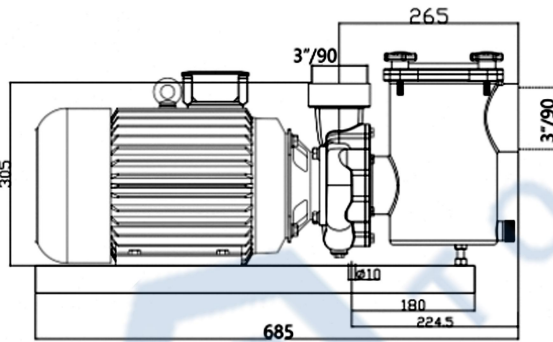
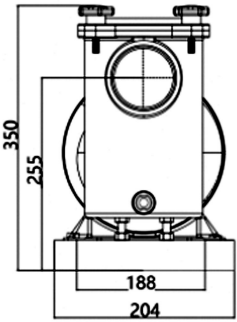
# BP Copper Pump

(mm)



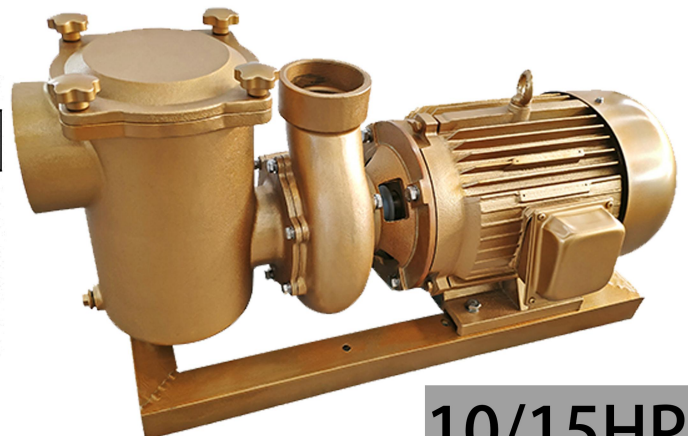
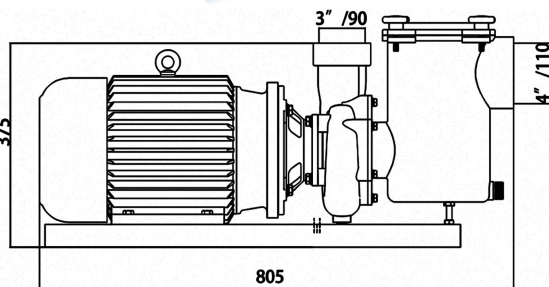
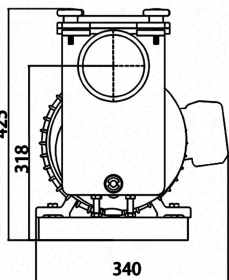
3HP

(mm)



5/7.5HP

(mm)



10/15HP



TOPGUY

CE   RoHS

# Product Features

- 1) *BP Copper pumps are molded with cast copper, solid, durable and reliable.*
- 2) *The motor is with external ventilation design, and the winding design is advanced.*
- 3) *Built-in thermal protection and Overload protection.*
- 4) *IPX5 Waterproof standard.*
- 5) *Special designed unions compatible for both imperial and metric measurement standards.*
- 6) *Characterized by high performance and efficiency, the mixer accelerates water injection(irrigation)rate and improves energy efficiency.*
- 7) *Its filter basket with high capacity helps reduce cleaning work.*
- 8) *Ring lock seal design eliminates suction leaks and maximizes suction efficiency.*
- 9) *Testing pressure 50 PSI (3.5 Bar).*
- 10) *Applicable to: swimming pools, in-dustrial water, ocean parks, water theme parks, etc.*

# A High-Performing Self-Priming Pump

## Product Specifications

Model	Power (KW/HP)	Current (AMP)	Noise (dB)	RPM	Flow rate (m <sup>3</sup> /h)	Lift (m)	Performance Parameter			N.W.	G.W.	Package (mm)
							Inlet (inch)	Outlet (inch)				
BP30	2.25KW/3.0HP	4.85	72	2850	30	18	2"	2"		29	35	646*266*426
BP50	3.75KW/5HP	8.1	75	2850	60	18	3"	2½"		44	55	910*330*495
BP75	5.6KW/7.5HP	11	78	2850	78	20	3"	2½"		47	58	310*330*495
BP100	7.5KW/10HP	14.8	80	2850	100	26	4"	3"		96	114	1020*460*566
BP150	11.25KW/15HP	21.2	83	2850	140	33	4"	3"		103	119	1020*460*566

## Technical Information

