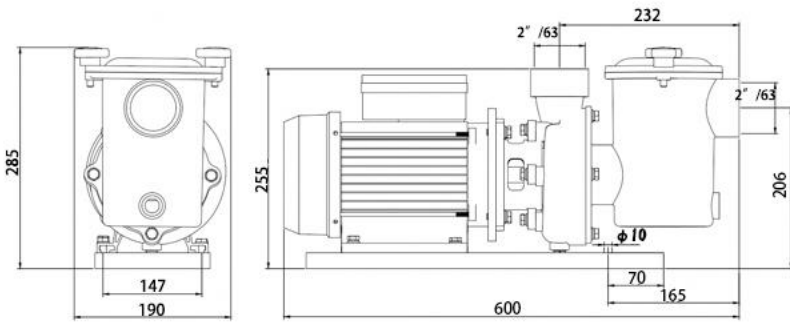


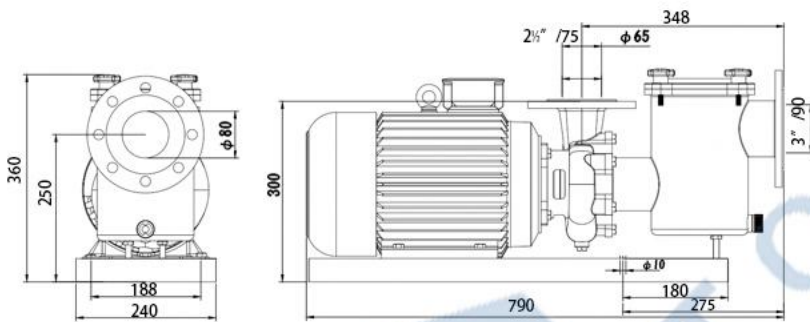
CCPB Metal Pump

(mm)



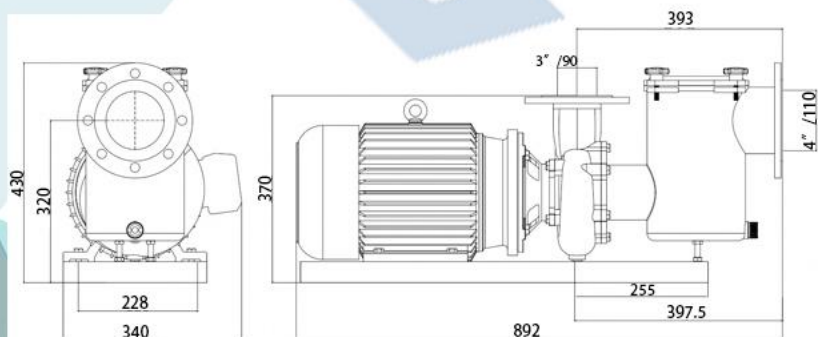
(3HP)

(mm)



(5/7.5HP)

(mm)



(10/15HP)

Product Features

- 1) *CCPB Metal pumps are molded with cast copper, solid, durable and reliable.*
- 2) *The motor is with external ventilation design, and the winding design is advanced.*
- 3) *Built-in thermal protection and Overload protection.*
- 4) *IPX5 Waterproof standard.*
- 5) *Special designed unions compatible for both imperial and metric measurement standards.*
- 6) *Characterized by high performance and efficiency, the mixer accelerates water injection (irrigation) rate and improves energy efficiency.*
- 7) *Its filter basket with high capacity helps reduce cleaning work.*
- 8) *Ring lock seal design eliminates suction leaks and maximizes suction efficiency.*
- 9) *Testing pressure 50 PSI (3.5 Bar).*
- 10) *Applicable to: swimming pools, industrial water, ocean parks, water theme parks, etc.*

A High-Performing Self-Priming Pump

Product Specifications

Model	Power (KW/HP)	Current (AMP)	Noise (dB)	RPM	Performance Parameter						Package (mm)
					Flow rate (m ³ /h)	Lift (m)	Inlet (inch)	Outlet (inch)	N.W.	G.W.	
CCPB30	2.25KW/3.0HP	4.85	72	2850	25	18	2"	2"	30	36	646*266*426
CCPB50	3.75KW/5HP	8.1	75	2850	60	18	3"	2½"	54	65	910*330*495
CCPB75	5.6KW/7.5HP	11	78	2850	75	20	3"	2½"	57	68	310*330*495
CCPB100	7.5KW/10HP	14.8	80	2850	100	26	4"	3"	109	127	1020*460*566
CCPB150	11.25KW/15HP	21.2	83	2850	140	33	4"	3"	115	133	1020*460*566

Technical Information

