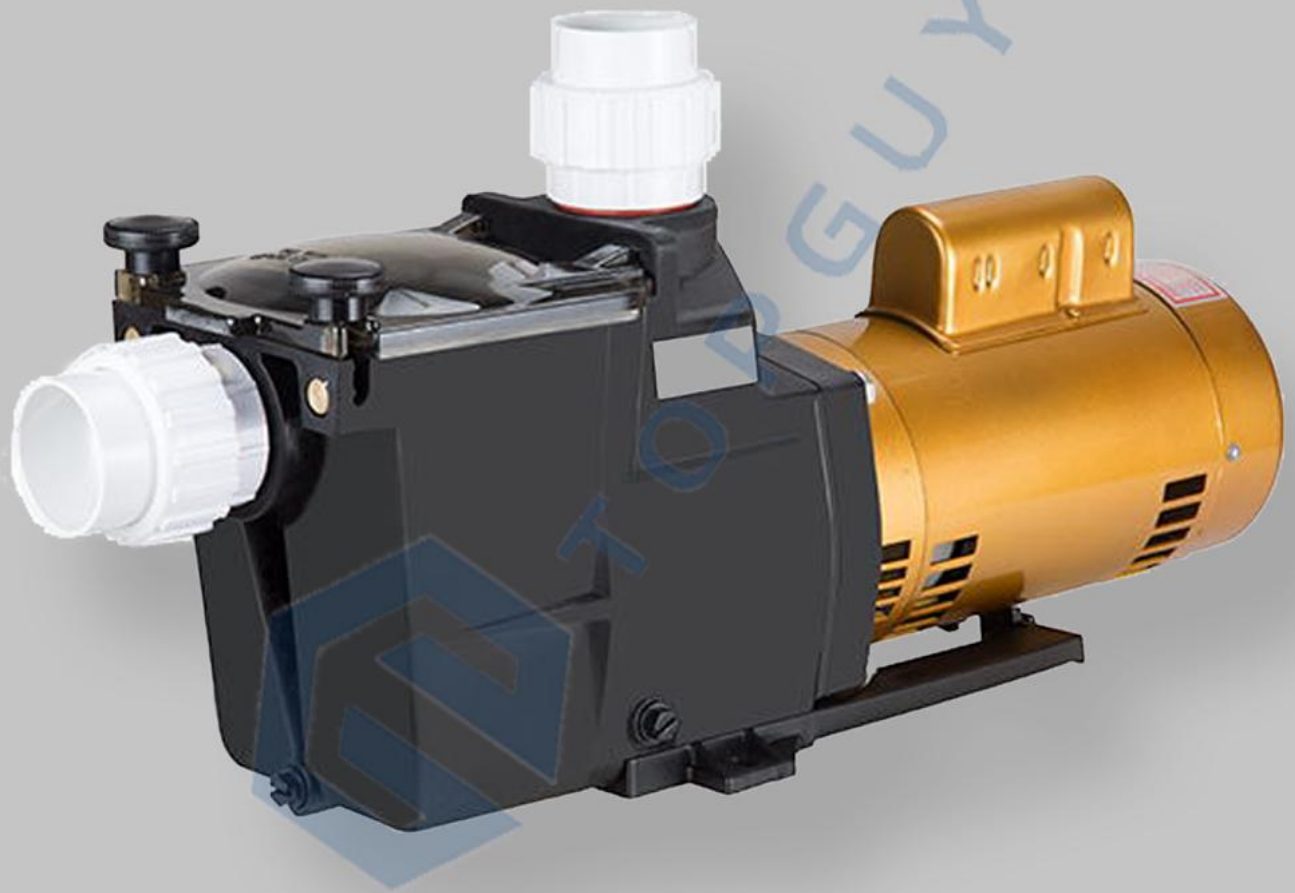


SP Series Pump

Professional Swimming
Pool Circulating Water Pump

Quality Selection of Swimming Pool Water Treatment Equipment



Pool & Spa Equipment

Product Features

- 1) SP Series Pump is designed according to the principles of hydraulics.
- 2) The motor adopts the internal ventilation design, and the winding design is advanced.
- 3) Built-in thermal protection and Overload protection.
- 4) IPX5 Waterproof standard.
- 5) Special designed unions compatible for both imperial and metric measurement standards.
- 6) Liquids part is made of high reinforce engineering plastic which is durable.
- 7) The strainer with high capacity helps reducing the cleaning work.
- 8) Ring lock seal design eliminates suction leaks and maximizes suction efficiency.
- 9) Testing pressure 50 PSI (3.5 Bar).
- 10) Applicable to : swimming pool, industrial water, oceans pavilion, water park, etc.

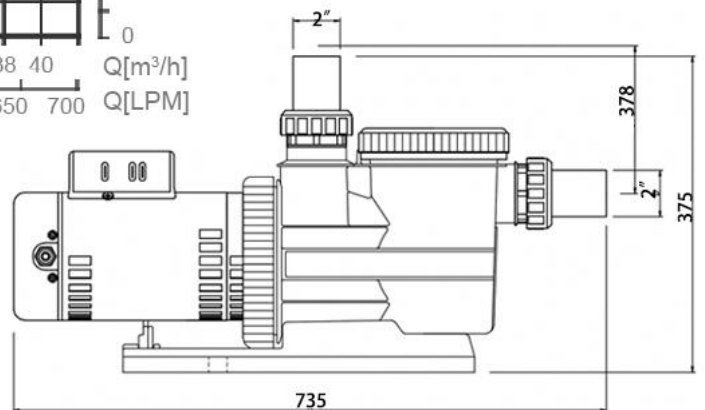
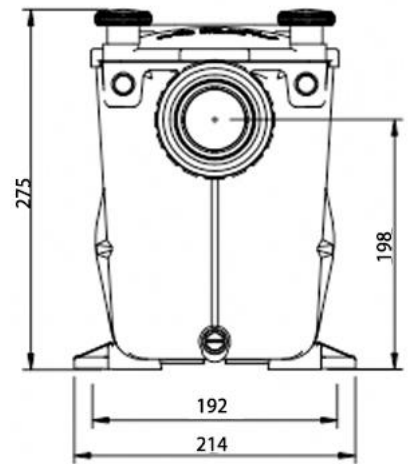
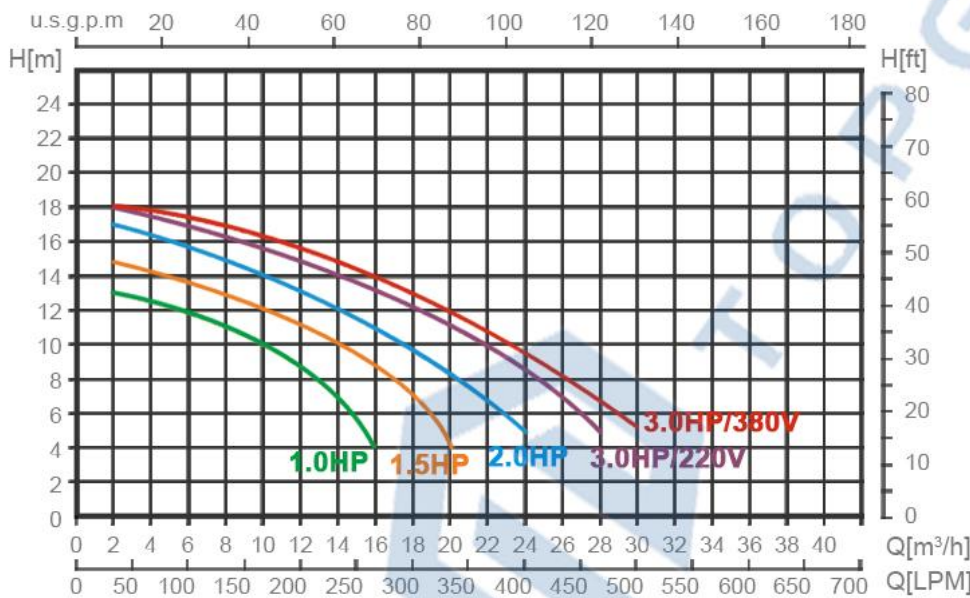


A High-Performing Self-Priming Pump



Technical Information

Product Dimensions (mm)



| Model | Power (KW/HP) | Current (AMP) | Noise (dB) | RPM | Performance Parameter | | | | | | |
|---------|---------------|---------------|------------|------|-----------------------|----------|--------------|---------------|------|------|--------------|
| | | | | | Flow rate (m3/h) | Lift (m) | Inlet (inch) | Outlet (inch) | N.W. | G.W. | Package (mm) |
| SP 1005 | 1.0HP | 4.5 | 65 | 2850 | 16 | 13 | 2" | 2" | 20 | 21.1 | 690*230*305 |
| SP 1503 | 1.5HP | 5.2 | 65 | 2850 | 20 | 15 | 2" | 2" | 20.6 | 21.6 | 690*230*305 |
| SP 2001 | 2.0HP | 6.7 | 68 | 2850 | 24 | 17 | 2" | 2" | 22.6 | 22.6 | 690*230*305 |
| SP 3004 | 3.0HP | 9 | 70 | 2850 | 28 | 18 | 2" | 2" | 24.7 | 24.7 | 690*230*305 |
| SPT3002 | 3.0HP | 4.7 | 70 | 2850 | 30 | 18 | 2" | 2" | 24.6 | 24.6 | 690*230*305 |